

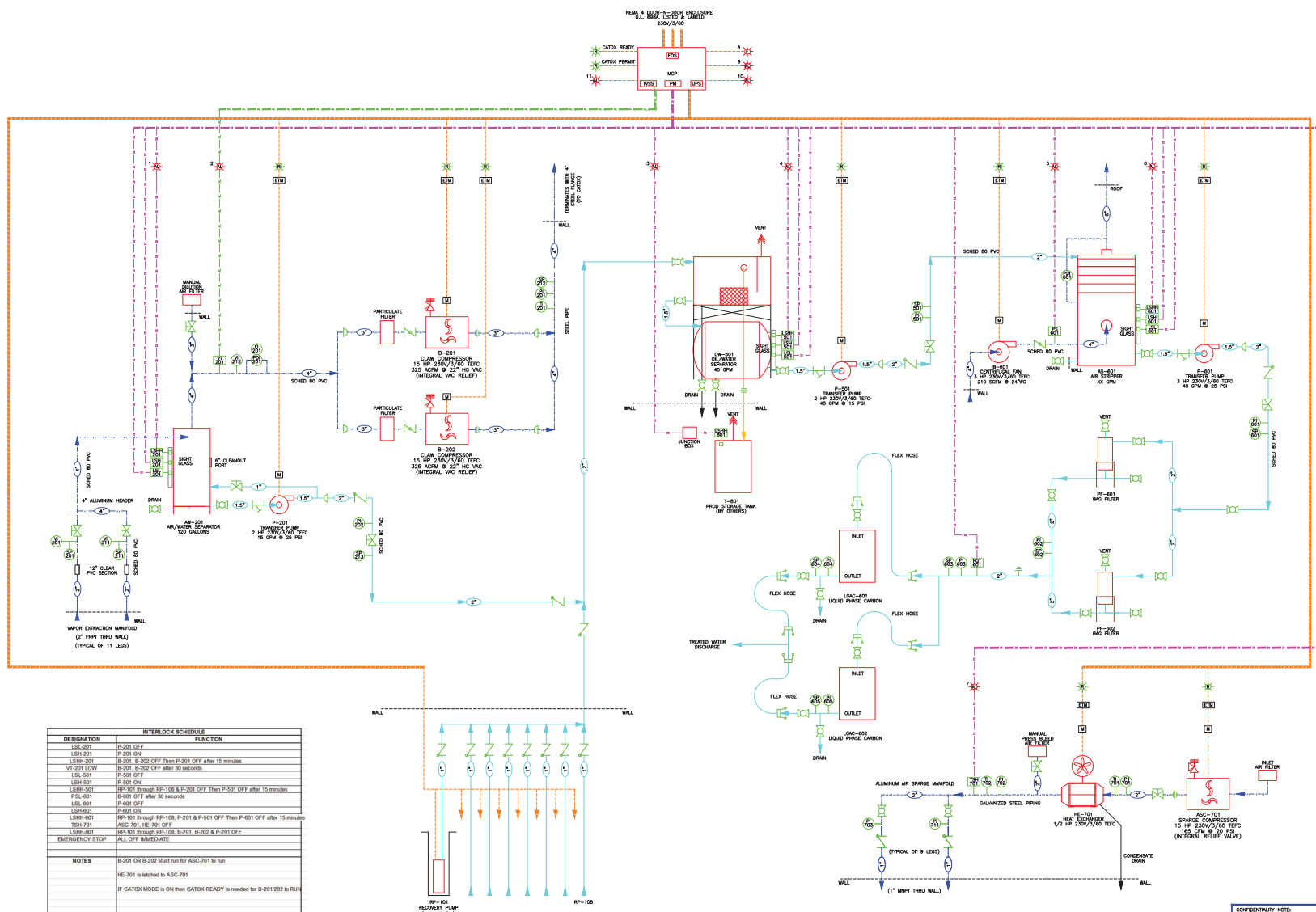
| | | | | |
|---|--|---|----------------------|--|
| Mid-Atlantic Environmental Equipment, Inc. 15 Carroll Drive, Buffton, SC. 29910 Phone: 843 836-1804, Fax: 843 836-1805 | THIS INFORMATION IS THE PROPERTY OF MAE INC. AND CANNOT BE REUSED OR REPRODUCED WITHOUT THE WRITTEN CONSENT OF MID-ATLANTIC ENVIRONMENTAL INC. | DATE 05/02/08 DATE 05/10/16 BY GWL Dr. by: MLB REVISION REV-2 | TITLE LAYOUT PLAN | DRAWING NO. 12784-3-1 PAGE NO. 01 OF 01 |
|---|--|---|----------------------|--|

D

C

B

A



| DESIGNATION | INTERLOCK SCHEDULE | FUNCTION |
|----------------|--|----------|
| LSL-200 | P-201 OFF | |
| LSH-201 | P-201 ON | |
| LSH-202 | P-202 ON | |
| VI-201 LOW | B-201, B-202 OFF Then P-201 OFF after 15 minutes | |
| LSL-501 | B-201, B-202 OFF after 30 seconds | |
| LSH-501 | P-501 ON | |
| LSH-501 | P-501 ON | |
| LSH-501 | RP-101 through RP-108 & P-201 OFF Then P-501 OFF after 15 minutes | |
| PSL-601 | P-601 OFF | |
| LSL-601 | P-601 ON | |
| LSH-601 | P-601 ON | |
| LSH-601 | P-601 ON | |
| LSH-601 | RP-101 through RP-108, B-201 & P-501 OFF Then P-601 OFF after 15 minutes | |
| TRN-701 | ASC-701 HI-701 OFF | |
| LSH-801 | RP-101 through RP-108, B-201, B-202 & P-201 OFF | |
| EMERGENCY STOP | ALL OFF IMMEDIATE | |

NOTES

- B-201 OR B-202 Must run for ASC-701 to run
- HE-701 is latched to ASC-701
- IF CATOX MODE is ON then CATOX READY is needed for B-201/202 to RUN

- LEGEND
- ETM ELAPSED TIME METER
 - ETM PROGRAMMABLE TELEMETRY/CONTROLLER
 - FI FLOW INDICATOR
 - FOT FLOW INDICATING TRANSMITTER - (PULSE TOTALIZER)
 - LSH LEVEL SWITCH HIGH
 - LSH-1 LEVEL SWITCH HIGH HIGH
 - LSL LEVEL SWITCH LOW
 - M MOTOR STARTER
 - MIP MASTER CONTROL PANEL
 - PC DIFFERENTIAL PRESSURE INDICATOR
 - PI PRESSURE INDICATOR
 - PSH PRESSURE SWITCH HIGH
 - PM PHASE/VOLTAGE MONITOR
 - SP SAMPLE POINT
 - TI TEMPERATURE INDICATOR
 - TSH TEMPERATURE SWITCH HIGH
 - TVS TRANSIENT VOLTAGE SURGE SUPPLY
 - UPS UNINTERRUPTIBLE POWER SUPPLY
 - VI VACUUM INDICATOR
 - VT VACUUM TRANSMITTER
 - VB BALL VALVE
 - VB BUTTERFLY VALVE
 - CB CAMLOCK FITTING
 - CV CHECK VALVE
 - GV GATE VALVE
 - PI PRESSURE INDICATOR
 - MC MAN CAP
 - REDUCING BUSHING/ADAPTER
 - RV RELIEF VALVE
 - SB SIPHON BREAK
 - SV SOLENOID VALVE
 - UNDN UNDERDRAIN
 - VS WYE STRAINER
 - ALARM LIGHT
 - EMERGENCY STOP LIGHT
 - RUN LIGHT
 - AR AIR LINE
 - BREAK
 - CONTROL LINE
 - INTRINSICALLY SAFE LINE
 - INTRINSICALLY SAFE ANALOG LINE
 - NON-INTRINSICALLY SAFE ANALOG LINE
 - PRODUCT LINE
 - WATER LINE
- ALARMS
- AIR/WATER SEPARATOR HIGH HIGH
 - LOW VACUUM
 - PRODUCT TANK HIGH HIGH
 - OL/WATER SEPARATOR HIGH HIGH
 - AIR STRIPPER BLOWER LOW PRESSURE
 - AIR STRIPPER SUMP HIGH HIGH
 - SPARGE HIGH TEMPERATURE
 - EMERGENCY STOP
 - PHASE/VOLTAGE FAULT
 - PHASE/VOLTAGE FAULT (SPARGE/WELL PANE)
 - CATOX FAULT

CONFIDENTIALITY NOTE:
The information contained in this drawing is intended for use only by Mid-Atlantic Environmental Equipment, Inc. and the organization listed herein. The information is confidential and any copying, distribution or dissemination without the consent of Mid-Atlantic Environmental Equipment, Inc. is STRICTLY PROHIBITED.

MAE² MID-ATLANTIC ENVIRONMENTAL EQUIPMENT, INC.
15 Carroll Drive
Bluffton, SC 29910
(843) 836-1804

TITLE: **PROCESS & INSTRUMENTATION DIAGRAM**

SCALE: N/A SIZE: 2 DWG NO.: 23815GLP SHEET: 1 OF 1 REV: 2

| | | | | | |
|------|-----------------------------|--------|-------|----------|------|
| 2 | CHANGED TO STANTEC MURPHY'S | 5/9/16 | GWL | DRAWN BY | DATE |
| 1 | REV-1 | | RB | CHK BY | DATE |
| REV. | DESCRIPTION | DATE | APPR. | | |
| | REVISIONS | | | | |

JOB NO.: 12784