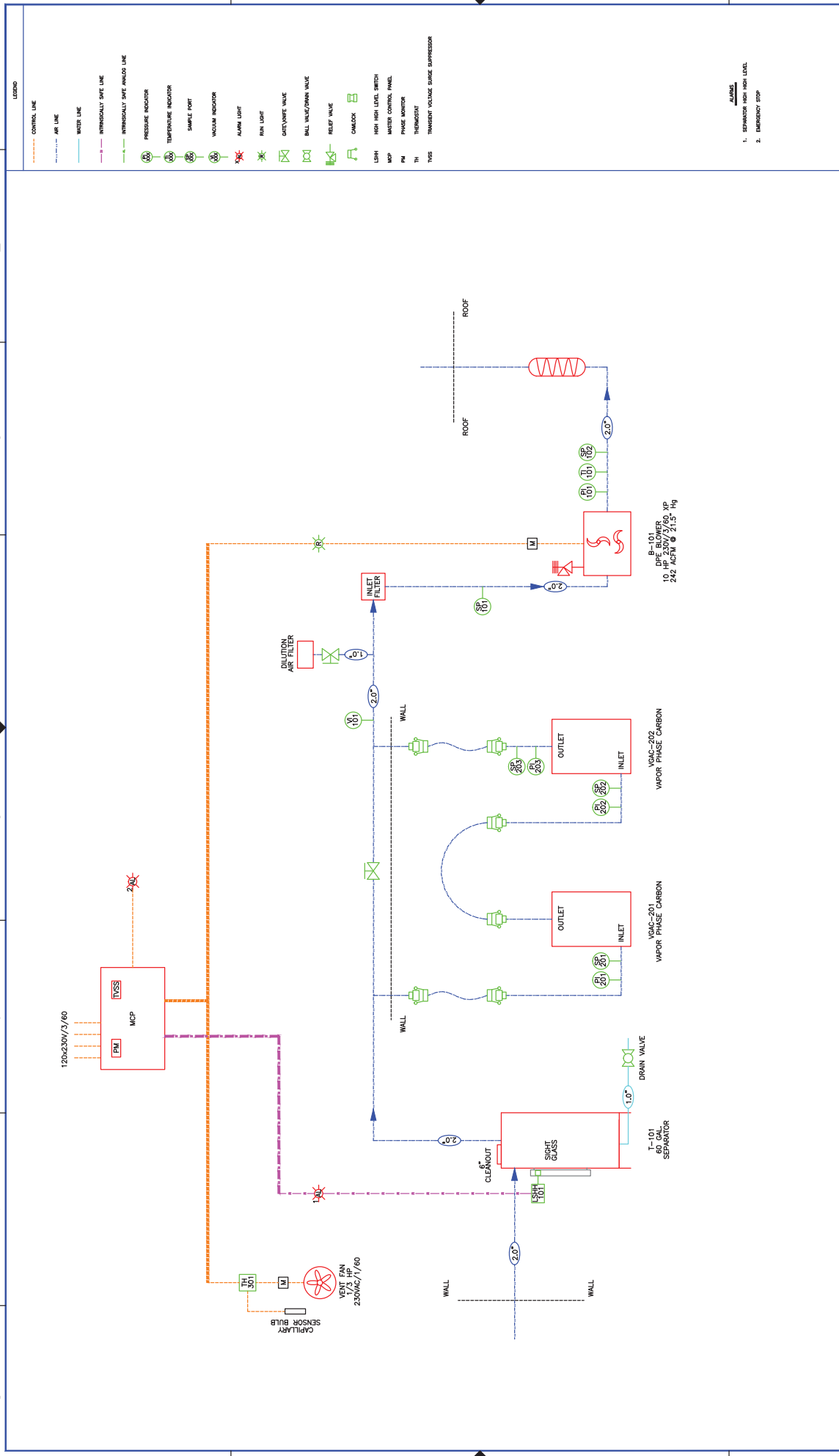


MAE MID-ATLANTIC ENVIRONMENTAL EQUIPMENT, INC.
 1000 W. GREENWOOD AVENUE
 SUITE 200
 GAITHERSBURG, MD 20878
 (301) 251-1000

PROCESS & INSTRUMENTATION DIAGRAM

REV.	DESCRIPTION	DATE	APPR.	DATE	CHK. BY	DATE

SCALE	SIZE	DWG. NO.	FOUR NO.
N/A	B	ES5E01P	ES50
SHEET			REV.
1 OF 1			PREP.



1 2 3 4 5 6 7 8

D C B A