

CLASSIFICATION
CLASS 1, DIV II

**Mid-Atlantic
Environmental Equipment, Inc.**
15 Carroll Drive, Bluffton, SC. 29910
Phone: 843 836-1804, Fax: 843 836-1805

THIS INFORMATION IS THE PROPERTY
OF MAE INC. AND CANNOT BE REUSED
OR REPRODUCED WITHOUT THE
WRITTEN CONSENT OF MID-ATLANTIC
ENVIRONMENTAL INC.

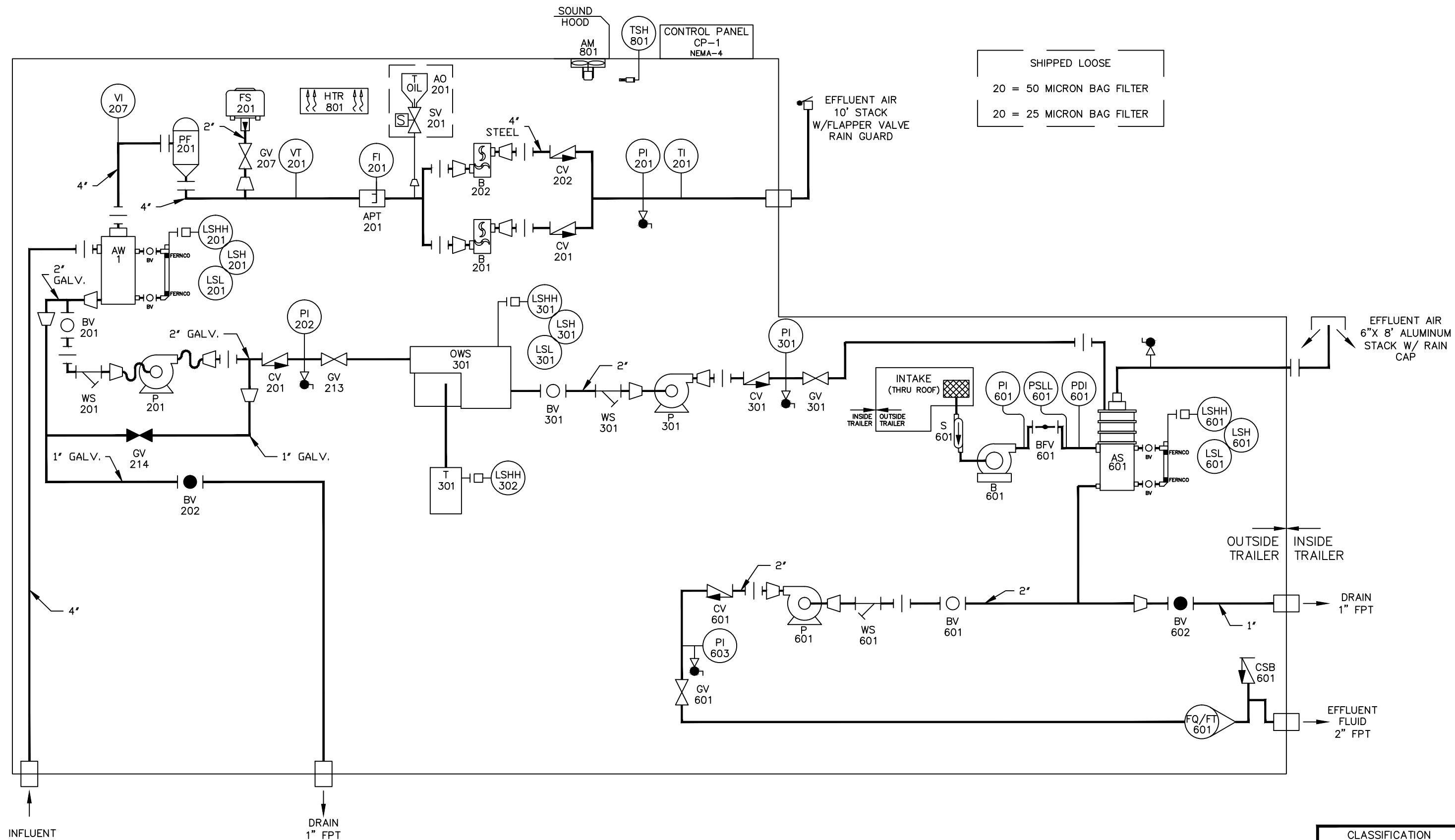
DATE	BY	REVISION	Dr.by:
01/24/12			MLB
02/08/12	GP	REV-2	
12/22/17	GWL	REV-3	
03/16/18	GWL	REV-4	
04/17/18	GWL	REV-5	

TITLE
LAYOUT

MAE 13410

DRAWING NO.
13410-3-01

PAGE NO.
01 OF 01



**Mid-Atlantic
Environmental Equipment, Inc.**
15 Carroll Drive, Bluffton, SC. 29910
Phone: 843 836-1804, Fax: 843 836-1805

THIS INFORMATION IS THE PROPERTY
OF MAE INC. AND CANNOT BE REUSED
OR REPRODUCED WITHOUT THE
WRITTEN CONSENT OF MID-ATLANTIC
ENVIRONMENTAL INC.

DATE	BY	REVISION	Dr.by:
01/24/12			MLB
02/08/12	GP	REV-3	
12/22/17	GWL	REV-4	
03/16/18	GWL	REV-5	
04/17/18	GWL	REV-6	

TITLE
P&ID

MAE 13410

CLASSIFICATION
CLASS 1, DIV II

DRAWING NO.
13410-2-01

PAGE NO.
01 OF 01