

VLS Tanks

Vapor Liquid Separator (VLS) or Knockout Tanks are used to remove liquids from airstreams in Soil Vapor Extraction and Dual Phase Extraction systems.

MAE²'s VLS tanks are custom designed based on air flow requirements and come in a range of sizes. The tanks can be constructed from marine grade aluminum or stainless steel. Each tank is custom built to your specification and can have inlets, site tubes, pump out and drains arranged in any orientation you choose. A full 3 CAD drawing will be provided to you for approval prior to construction.

See the drawings on the following pages.

Warning: If you plan to print this datasheet, note that the drawings on the following pages are much larger than letter size.



Specifications

VLS Tanks	Standard	Optional (Special Order)
Material	3/16" Aluminum	304/316 SS
Inlet Connections	MPT	ANSI Flange
Inlet Orientation	Tangential	
Finish	Electro-Polish	
Maximum Pressure	29" Hg	
Clean Out	8" Plug	
Site Tube Fittings	2" FMPT	
Tank Drain Fittings	1"	
Demister	8" Aluminum Baffle	316 SS
Tank Sizes	60-220 Gallon	
Size	#2	
Filter Micron Size	.5-200 micron	

MID-ATLANTIC ENVIRONMENTAL EQUIPMENT, INC.

Main Phone:
877-MAE2inc
(877-623-2462)
mae2.com

Corporate Headquarters

15 Carroll Drive
Bluffton, SC 29910

843-836-1804
Fax: 843-836-1805

Email: sevans@mae2.com

Manufacturing Facility

Hardeeville, SC
843-296-4580

Field Support Services

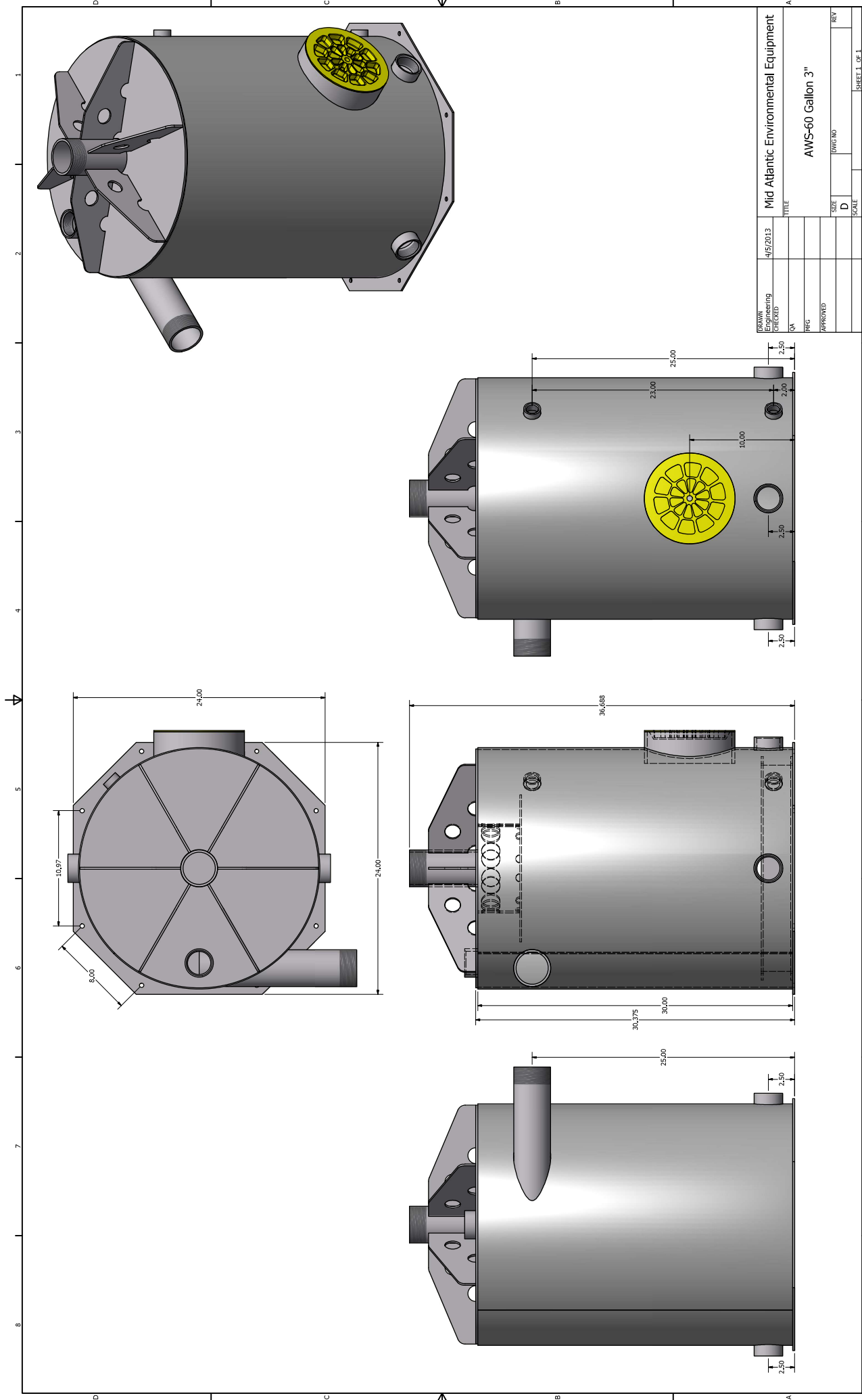
Canton, GA
843-247-4087

Regional Sales Office

182 Spring Oaks Lane
Ruckersville, VA 22968

434-531-3472
Fax: 434-985-1214

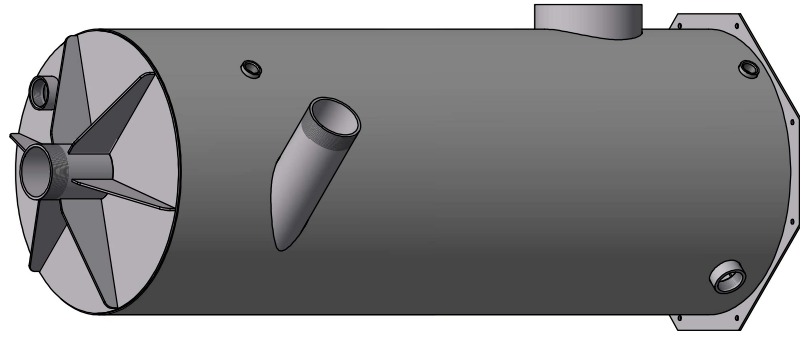
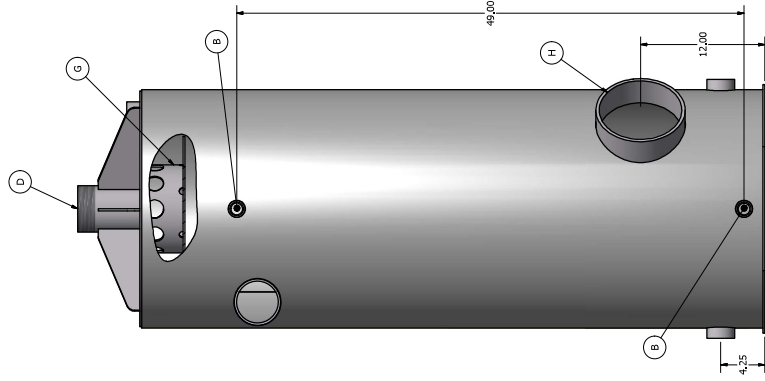
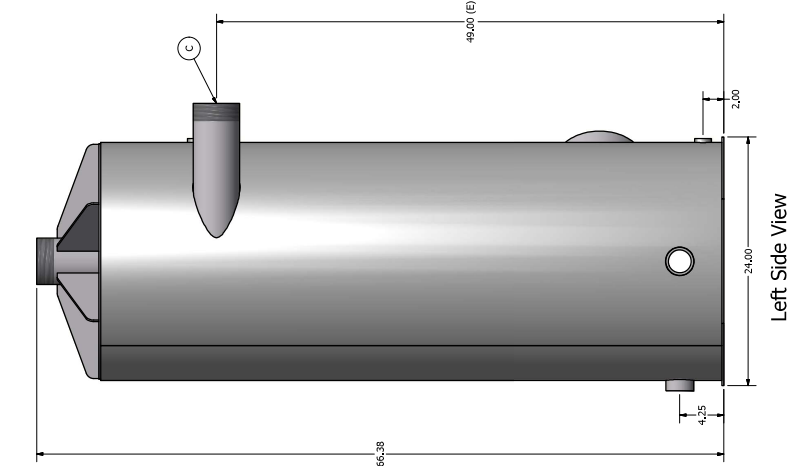
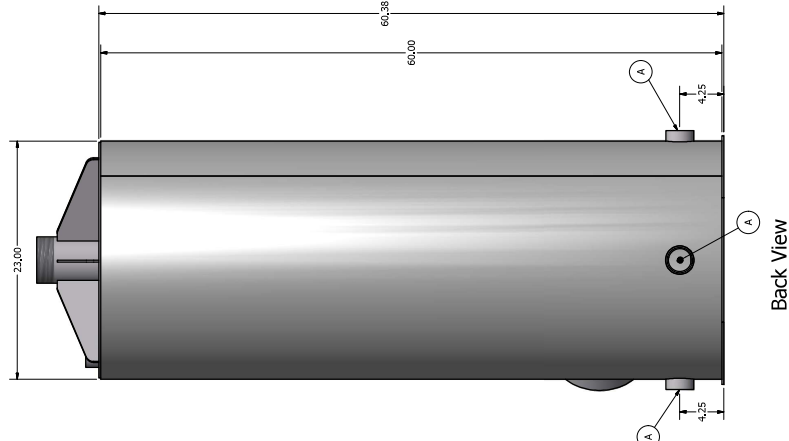
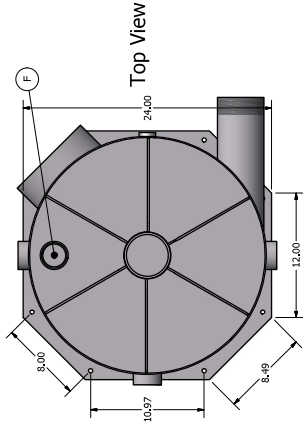
Email: jfrydl@mae2.com



DATE	4/5/2013	TITLE	Mid Atlantic Environmental Equipment
DESIGNED BY	JA	REV	
CHECKED BY		SCALE	D
APPROVED		DWG NO	AWS-60 Gallon 3"
		REV	

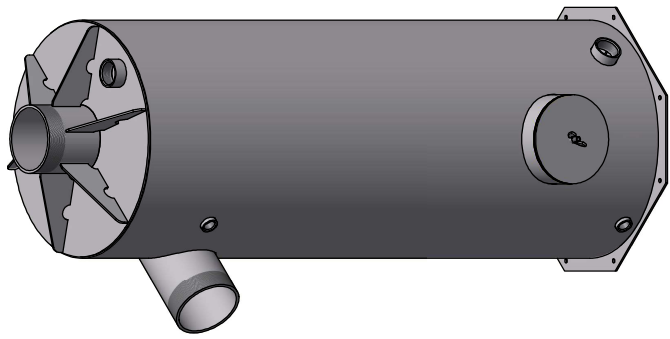
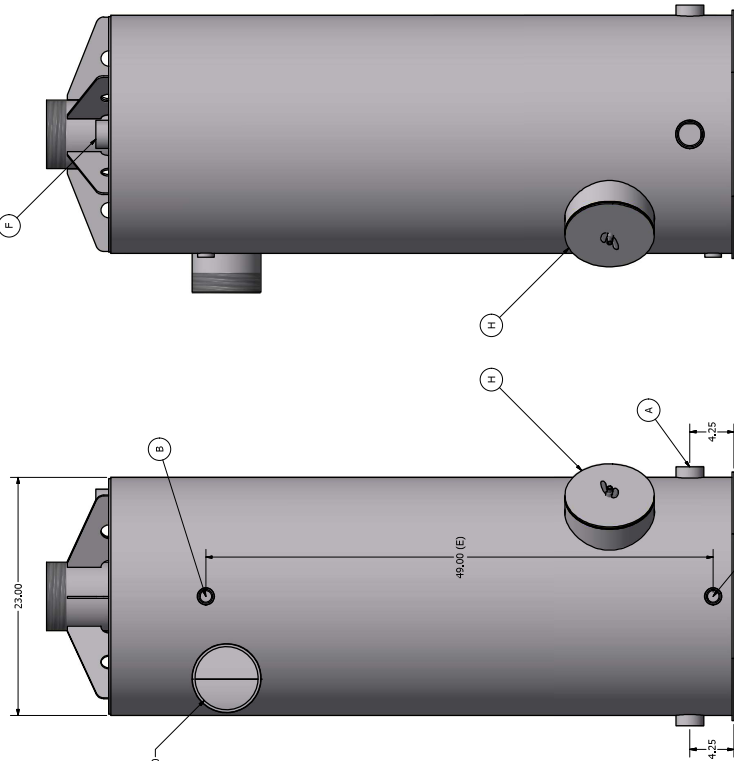
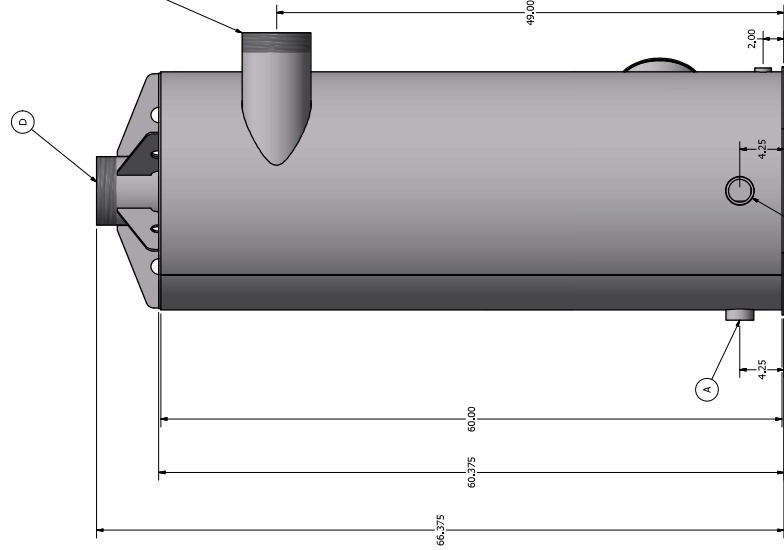
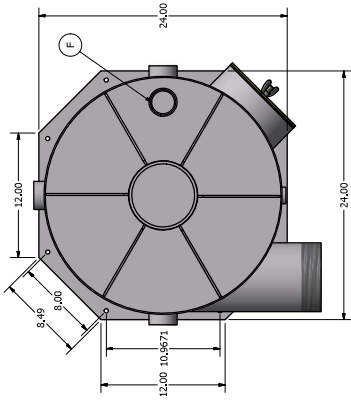
120 Gallon Air / Water Separator			
Key	Description	Measurement(s)	Quantity
A	Pump Connection Port(s) / Drain Port(s)	2" NPTF	3
B	Site Glass / Float Switch Couplings	1" NPTF	2
C	Inlet	4" NPTM	1
D	Outlet	4" NPTM	1
E	Sight Glass / Float Switch Coupling Spacing	49"	1
F	Vacuum Relief Port	2" NPTF	1
G	Effluent Demister	8" Dia.	1
H	Clean Out Port	8" Dia.	1

- Notes:
 1. Separator is constructed from 3/16" (0.1907) 5052 Marine Grade Aluminum
 2. Internal Swirl Prevention Baffle (Not Shown)
 3. All dimensions are shown in inches.



DRAWN	11/16/2012	Mid Atlantic Environmental Equipment, Inc.
DATE	11/16/2012	TITLE
BY	Brian Shinnall	
QA		
REG:		
APPROVED		
SIZE	D	REV
SCALE		A
120 Gallon Air / Water Separator 4"		
Dwg No. FA-120AWS-4L		
SHEET 1 OF 1		

TABLE			
Key	Description	Measurements	Quantity
A	Pump Connection Port(s) / Drain Port(s)	2" NPTF	3
B	Site Glass / Float Switch Couplings	1" NPTF	2
C	Inlet	6" NPTM	1
D	Outlet	6" NPTM	1
E	Sight Glass / Float Switch Spacing	49"	1
F	Vacuum Relief Port	2" NPTF	1
G	Effluent Demister	8" Dia.	1
H	Cleanout Port	8" Dia.	1
I	Recirculating Port	1" NPTF	1



DATE	3/15/2013	DESIGNED BY	Mid Atlantic Environmental Equipment
DATE	3/15/2013	DRAWN BY	Brian Shinnall
DATE		CHECKED BY	QA
DATE		APPROVED BY	
DATE		SCALE	D
DATE		TITLE	AWS-120 6 Inch Assembly 1
DATE		SIZE	D
DATE		DWG NO	Assembly 1
DATE		REV	